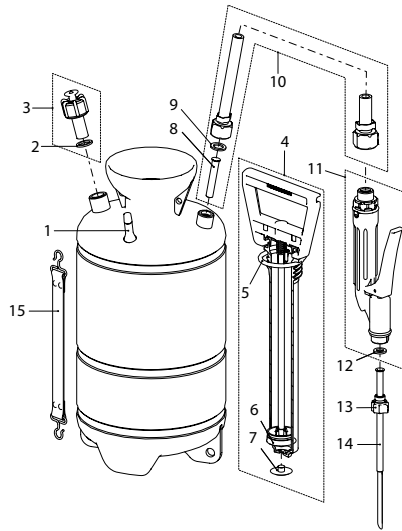




DR 5



Mini-Flex



1

DR 5, powder duster

11625701

121048

AccessoriesInjector needle, curved $\varnothing 2$ mm

11435001-SB

100647

XL 8 D Telescopic lance 7 m / working height 8 m (Dust-Version)

11935401

113791

Mini-Flex

11947101

710600

No Gasket set consisting of:

11629801-SB

700878

2 Gasket 21x15.4x2

5 O-Ring 50.16x5.34

6 Sleeve

7 Pump gasket

8 O-Ring 10x1.3

9 Gasket 17x11x1.5

12 Gasket 11.9x7x1.5

Gasket set for trigger

11664910

040851

No Spare parts

1 Valve

50137531

500157

3 Safety valve 3 bar

11617901-SB

710174

4 Pump assy.

11906301

710532

6 Sleeve, 6 pcs. per pack

11642701-SB

040059

10 Hose assy. 1.5 m G1/2"-G1/2"

11478202

710327

11 Trigger assy.

10495007

100807

12 Gasket 11.9x7x1.5; 10 pcs. per pack

11642402

040783

13 Nipple G1/4", **minimum order qty. 5 pcs**

11341801

040790

14 Powder tube $\varnothing 4$ mm, L = 30 cm

11422101

710334

15 Carrying belt assy.

10453601

100739



XL 8 D

**XL 8 D, Telescopic lance 7 m, max. 6 bar (Dust-Version)**

11935401

113791

Accessories

Spray set

11938901

113869

Blow-out valve

11937101

113845

Spare parts

7 m hose set

11936301

113821

For other accessories see page 53