



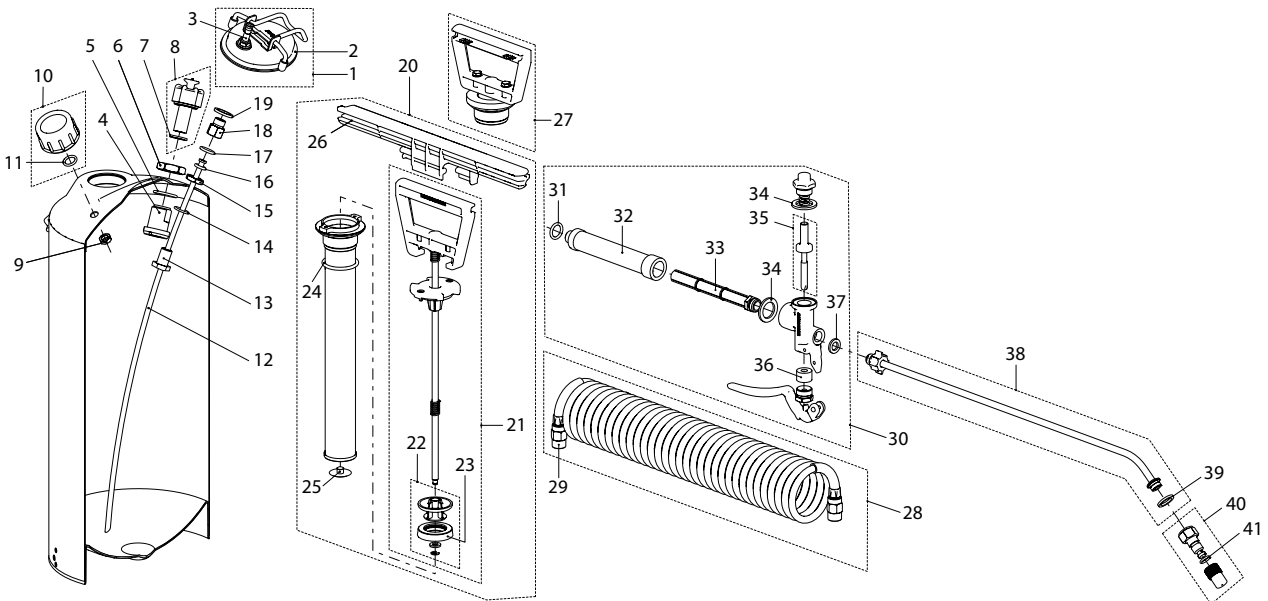
Spray-Matic 10 S



Stainless steel hand-cart H1



Spray-Matic 10 S, hand pump and compressed-air union	11380002	122021
Spray-Matic 10 S, compressed-air union	11380004	122038
Accessories (Pictures see page 66 ff)		
Rim protector 1 m	11978801	400891
Carrying unit universal	11828301	110738
Hand cart H1, high-grade steel	11801501	110745
Pump complete, stainless steel, viton	11833017	110752
Closing cap with handle (instead of hand pump)	11380601	100630
XL 8 S Telescopic lance 7 m / working height 8 m (Spray-Version)	11935801	113982
Extension tube straight 1 m, brass, thread G1/4"i-G1/4"e	10960601	100463
Spray tube 1 m, stainless steel, G1/4"e-G1/4"e	11669802	110578
Filler cap with reducing valve & nipple series 22 + 25	11647101	113210
CF Valve (constant flow valve) from 1 to 2 bar see page 73		



No	Gasket set consisting of:	11390201-SB	700830
7	Gasket 21x15.4x2		
11	Gasket 14x9.7x1.5		
16	O-ring 5.28x1.78		
17	O-ring 10x2		
19	Gasket 17x12.7x2		
23	Sleeve		
25	Pump gasket		
Nr.	Gasket set spraying equipment consisting of:	10856501-SB	700823
31	O-ring 10x2		
34	Gasket 24x16.2x2		
35	Valve with gasket		
36	Gland packing		
37	Gasket 11.9x7x1.5		
39	Gasket 17x12.7x2		
41	O-ring 7.66x1.78		
No	Spare parts		
1	Filler cap with valve complete	11647104	110868
2	O-ring 86x6	50117140	701141
3	Valve	11417101	110776
4	Nipple M24x2, minimum order qty. 5 pcs	10473601	701059
5	O-ring 23.81x2.62, minimum order qty. 5 pcs	50117048	701240
6	Nut M24x2, minimum order qty. 5 pcs	10473501	701042
8	Safety and relief valve 6 bar	11617903-SB	710198
9	Hexagon nut G1/8", minimum order qty. 5 pcs	10806101	701073
10	Manometer	10409601	701066
12	Suction tube 495 mm	11379703	110899
13	Nipple G1/4"	10984501	110813
14	O-ring 12.42x1.78, minimum order qty. 5 pcs	50117023	701165
15	Nut G1/4"	41208002	110820
18	Double nipple G1/4"e-G1/4"i	11398401	110912
19	Gasket 17x12.7x2; 10 pcs per pack	11642403	040035
20	Brass pump complete with two hand grip	11887201	110929
21	Piston rod complete	11881703	122335
22	Spare part kit sleeve	11926401	113623
23	Sleeve; 6 pcs per pack	11642701-SB	040059
24	O-ring 40x4, minimum order qty. 5 pcs	50117077	110844
26	Two hand grip	11887301	040578
27	Closing cap with handle	11380601	100630
28	Spiral hose	11905301	113081
29	Screwed joint	11910001	113098
30	Trigger complete	10504012	100982
32	Brass handle G1/4"	11949601	400846
33	Filter	10828301	113067
37	Gasket 11.9x7x1.5; 12 pcs per pack	11642404-SB	040042
38	Spray tube 50 cm, curved, brass	11370704	700311
39	Gasket 17x12.7x2; 10 pcs per pack	11642403	040035
40	Adjustable nozzle 1.3 mm complete	28502598-SB	100173